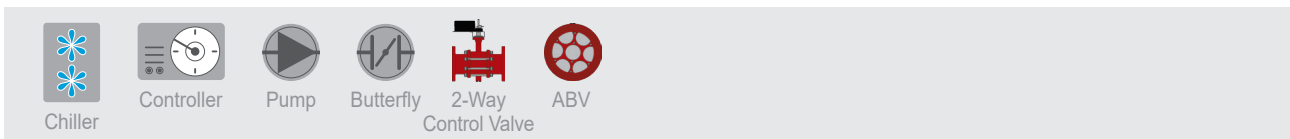
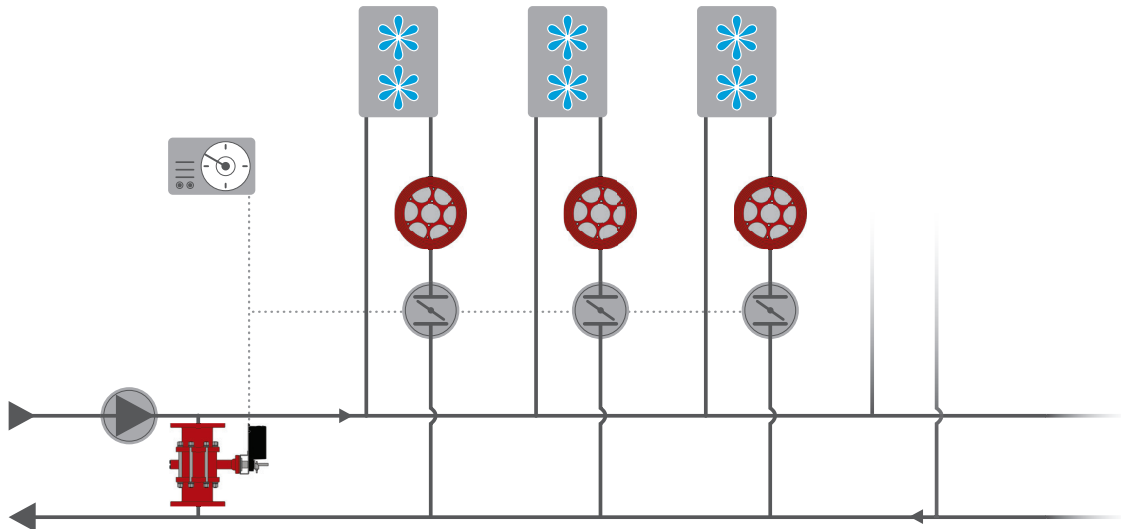


# Chillers - Fixed Speed

## with Automatic Balancing



### System Functionality:

Chillers are either designed for in- or outdoor location, and the function of a chiller is to provide the correct amount of chilled water to a building's A/C system. Chillers are normally seen in large-size buildings and thereby handling larger flow rates. Without proper balance and control, energy consumption,  $\Delta T$  and hence operating costs will run wild. On a fixed speed chiller, this can be prevented by installing an Automatic Balancing Valve (ABV) and an ON/OFF butterfly valve on every chiller securing no overflow.

### Requirements:

An ABV will react to system pressure changes and limit the flow of chilled water to required max. flow helping the system to be accurately controlled even with pressure changes for instance when chillers in the same system are ramped off.

### Solutions:

The solution is to mount an ABV on every single unit and FlowCon offers:

- FlowCon Wafer (pre-set multiple inserts).

### Benefits:

- Assures no overflow in the system
- An easy-to-use solution
- Energy efficiency with regulation starting at only 10 kPaD
- Cost savings due to reduced time to balance and commission
- A proven technology - long life expectancy.

