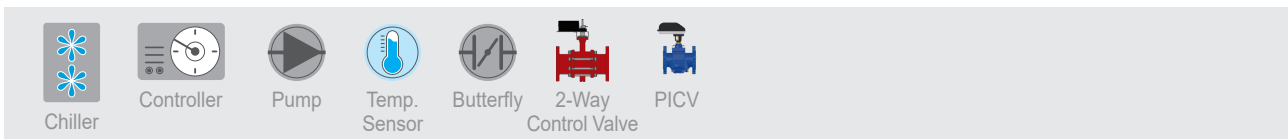
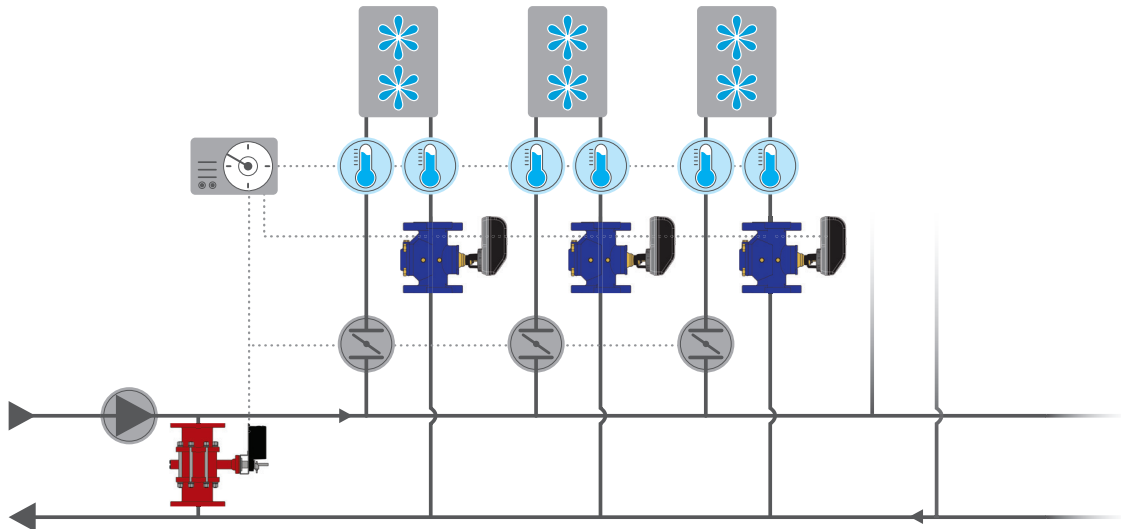


Chillers - Variable Speed

with Pressure Independent Control (PICV)



System Functionality:

Chillers are either designed for in- or outdoor location, and the function of a chiller is to provide the correct amount of chilled water to a building's A/C system. Chillers are normally seen in large-size buildings and thereby handling larger flow rates. Without proper balance and control, energy consumption, ΔT and hence operating costs will run wild. This can be prevented by installing a PICV on every chiller. PICVs will help significantly to reduce energy consumption and operating costs and increase the building's overall energy performance and anticipate in the task of energy certification.

Requirements:

The PICV will react to system pressure changes and regulated the flow of chilled water to required flow by adjusting the actuator position. This helps chillers during ramp on or ramp off to maintain being accurately controlled even with pressure changes and at reduced loads.

Solutions:

The solution is to mount a PICV on every single unit and FlowCon offers:

- FlowCon SM.

Benefits:

- Assures correct flow for each unit automatically - also at partial loads
- Flexible solution with minimum 51 different max. flow settings
- Electrical actuators with selectable control mode, linear or equal%
- Energy efficient due to optimized control
- Cost savings due to reduced commissioning time
- True PICVs - 100% authority and pressure independency at all flow rates with accurate actuator control.

