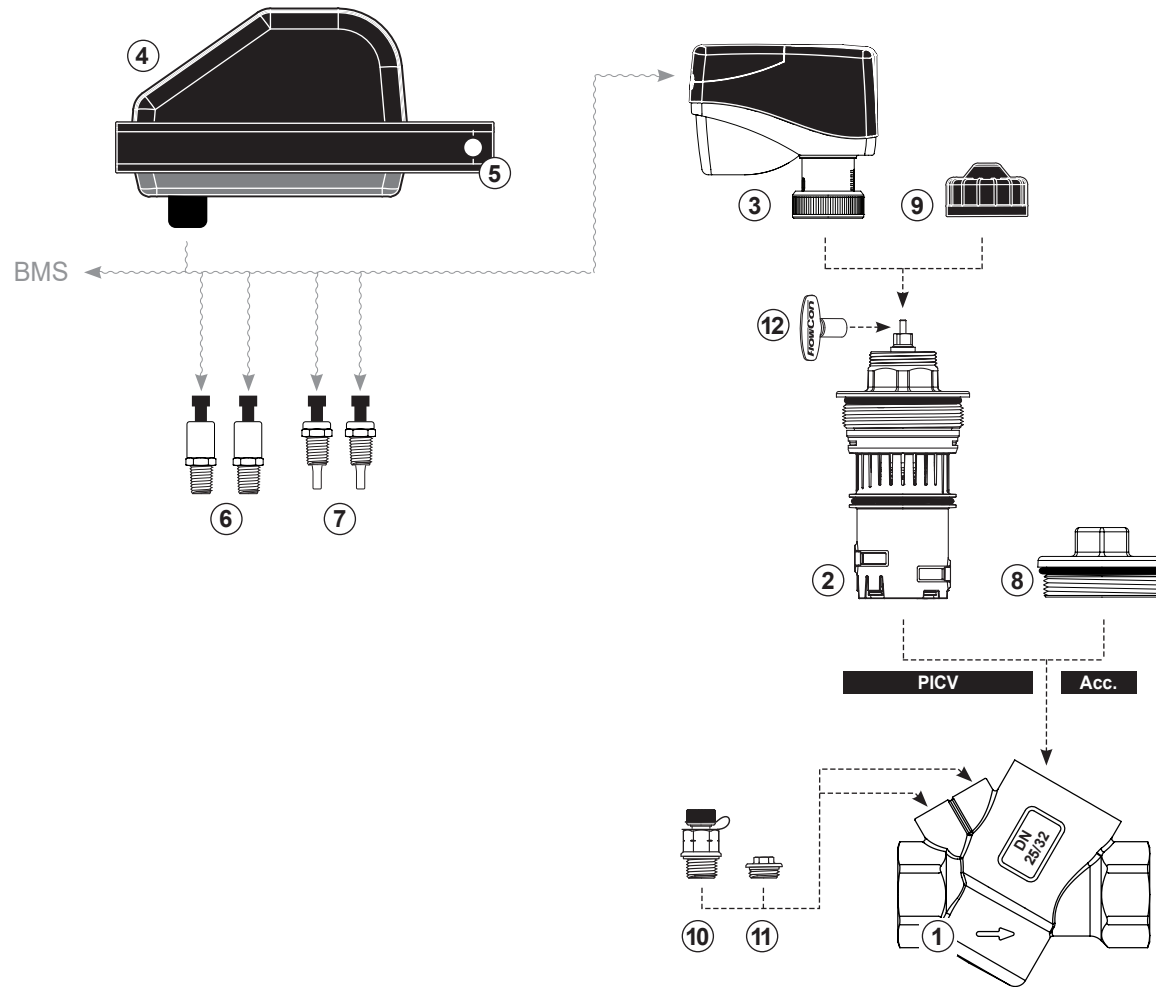


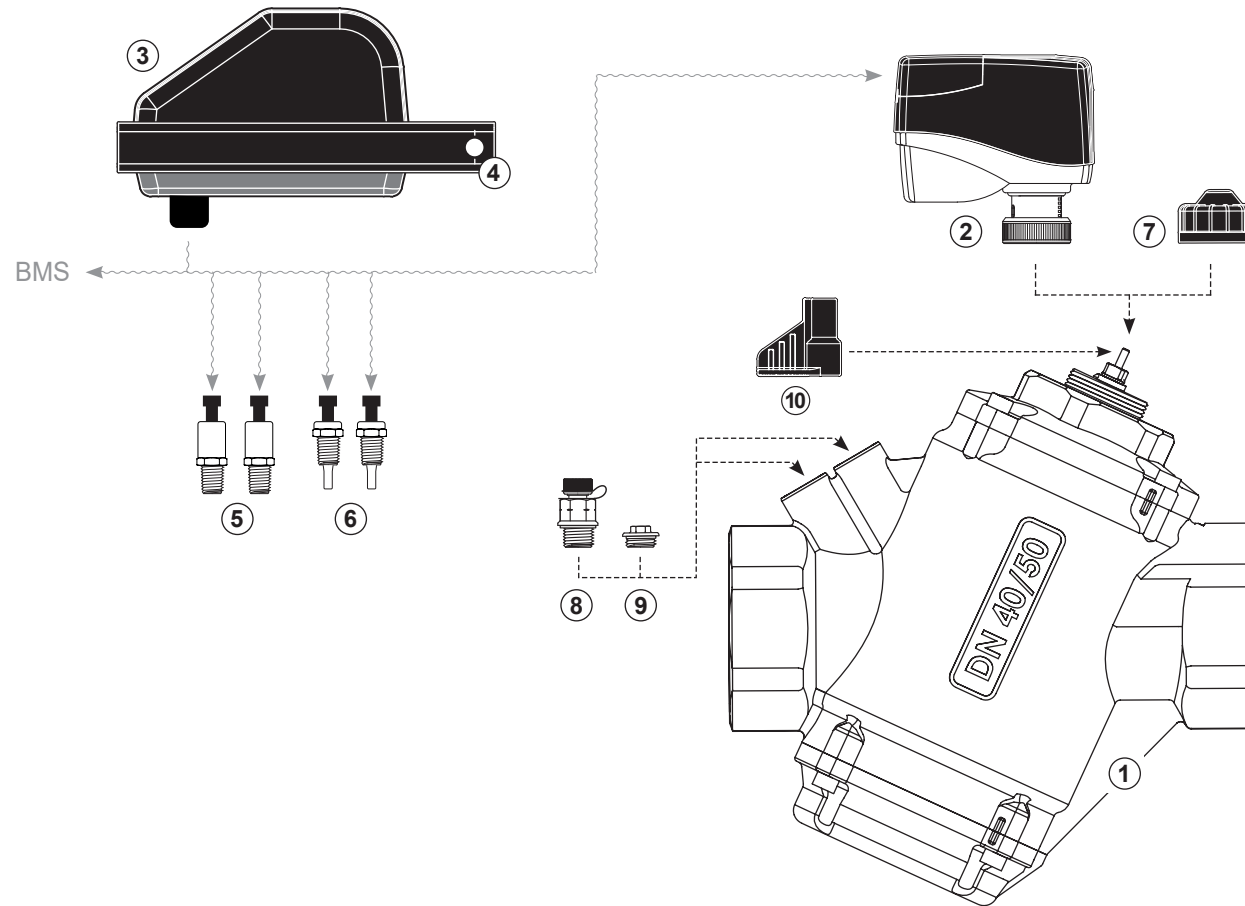
**FlowCon FIT-G.0/1 DN15-25 (1/2"-1") • Pressure Independent Temperature Control Valve**

Valve housings		Inserts		Actuators		Accessories					
①	AB15.I	Valve housing, DN15 (1/2")	②	Green.0	20 mm Green insert, low flow	③	FN.0.2	24V electrical modulating, 2-10V with feedback	④	ACC40023	Intelligent interface
①	AB20.I	Valve housing, DN20 (3/4")	②	Green.1	20 mm Green insert, medium flow				⑤	1A60111	Intelligent interface wall mounting bracket
①	AB25.I.K	Valve housing, DN25 (1")							⑥	2 x ACC40021	Pressure sensor
									⑦	2 x ACC40022	Temperature sensor
									⑧	ACC0080	Flushing cap
									⑨	ACC0004	Protection cap
									⑩	2 x ACC00113	P/t plug with gasket
									⑪	2 x ACC1B03000	Plug with gasket
									⑫	ACC0001	Adjustment key



## FlowCon FIT-G.2 DN25-32 (1" - 1 1/4") • Pressure Independent Temperature Control Valve

Valve housings		Inserts		Actuators		Accessories					
①	AB25.I	Valve housing, DN25 (1")	②	Green.2	40 mm Green insert	③	FN.0.2	24V electrical modulating, 2-10V with feedback	④	ACC40023	Intelligent interface
①	AB32.I	Valve housing, DN32 (1 1/4")							⑤	1A60111	Intelligent interface wall mounting bracket
									⑥	2 x ACC40021	Pressure sensor
									⑦	2 x ACC40022	Temperature sensor
									⑧	ACC0081	Flushing cap
									⑨	ACC0004	Protection cap
									⑩	2 x ACC00113	P/t plug with gasket
									⑪	2 x ACC1B03000	Plug with gasket
									⑫	ACC0001	Adjustment key



**FlowCon FIT-G.3 DN40-50 (1 1/2"-2") • Pressure Independent Temperature Control Valve**

Valve housings		Actuators		Accessories	
①	G.3.4x.x.l Valve housing, DN40 (1 1/2")	②	FH 24V electrical modulating, 2-10V with feedback	③	ACC40023 Intelligent interface
①	G.3.5x.x.l Valve housing, DN50 (2")	②	FH.1 24V electrical modulating, 2-10V with feedback and failsafe	④	1A60111 Intelligent interface wall mounting bracket
				⑤	2 x ACC40021 Pressure sensor
				⑥	2 x ACC40022 Temperature sensor
				⑦	ACC0004 Protection cap
				⑧	2 x ACC00113 P/t plug with gasket
				⑨	2 x ACC1B03000 Plug with gasket
				⑩	ACC0001 Adjustment key